

ZL-1504 *Zwei L* Stainless Steel Door Knob

Features

- Superior "Zwei L Finish" - *Zwei L* represents the very pinnacle of ultra-premium Japanese hardware design. The contrasting bands of mirror finish and lustrous satin on a faceted profile give a jewel like finish that highlights and enhances any industrial design

Material

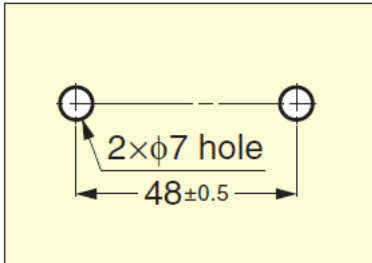
- Stainless steel 316, *Zwei L* finish

Parts Included

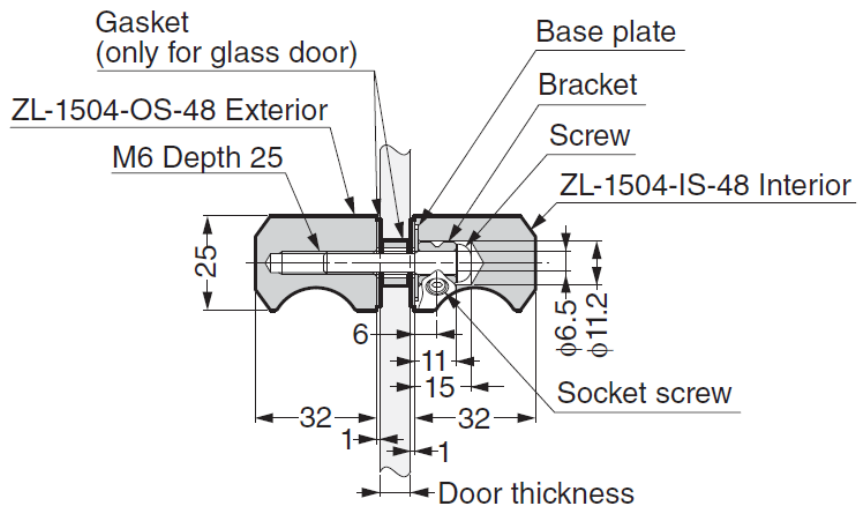
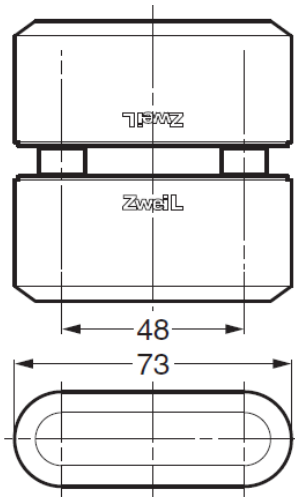
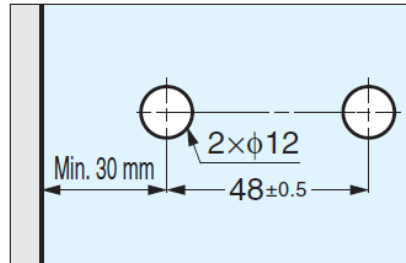
- Bolt set for door knob
- Allen key
- Gasket



Cut Out Dimensions (For Wood)



Cut Out Dimensions (For Glass)



| Part No. | Type | Door Thickness |
|---------------|-------------------|--|
| ZL-1504-IS-48 | Interior Knob | Wooden / Metal Frame: 36 ~ 48 Glass: 6, 8, 10, 12 |
| ZL-1504-OS-48 | Exterior Knob | |
| ZL-1504-WN-48 | Back-to-Back Knob | |